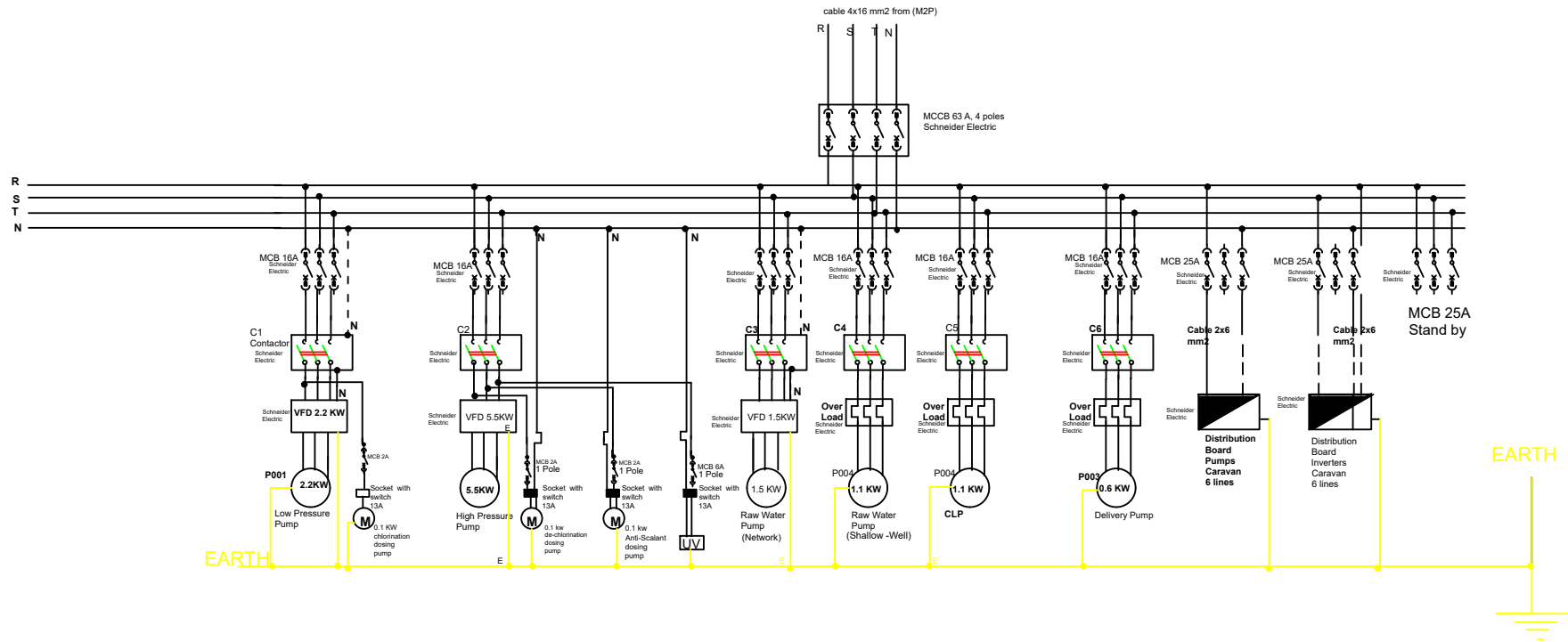
 ICRC Contracting Authority : ICRC - CICR IRAQ BAGHDAD Delegation	Designer : Eng. : Saleem Khaleel AL-Qaiem	Location : ALRabea Village Coords :	Project name : ALRabea RO Unit	Scale			<h1>A02</h1>	
	Position : WatHab Electrical Engineer	Governorate: Salah ALDeen Governorate	Title : Control Diagram for ALRabea Village RO Unit	Rev 1 2 3 4	Des. Date 21.06.2026	Approval 		Signature
	E-mail : Skhaleelkareemhassn@icrc.org	mobile : +964(0)7801432957						




 Contracting Authority :
 ICRC - CICR IRAQ
 BAGHDAD Delegation

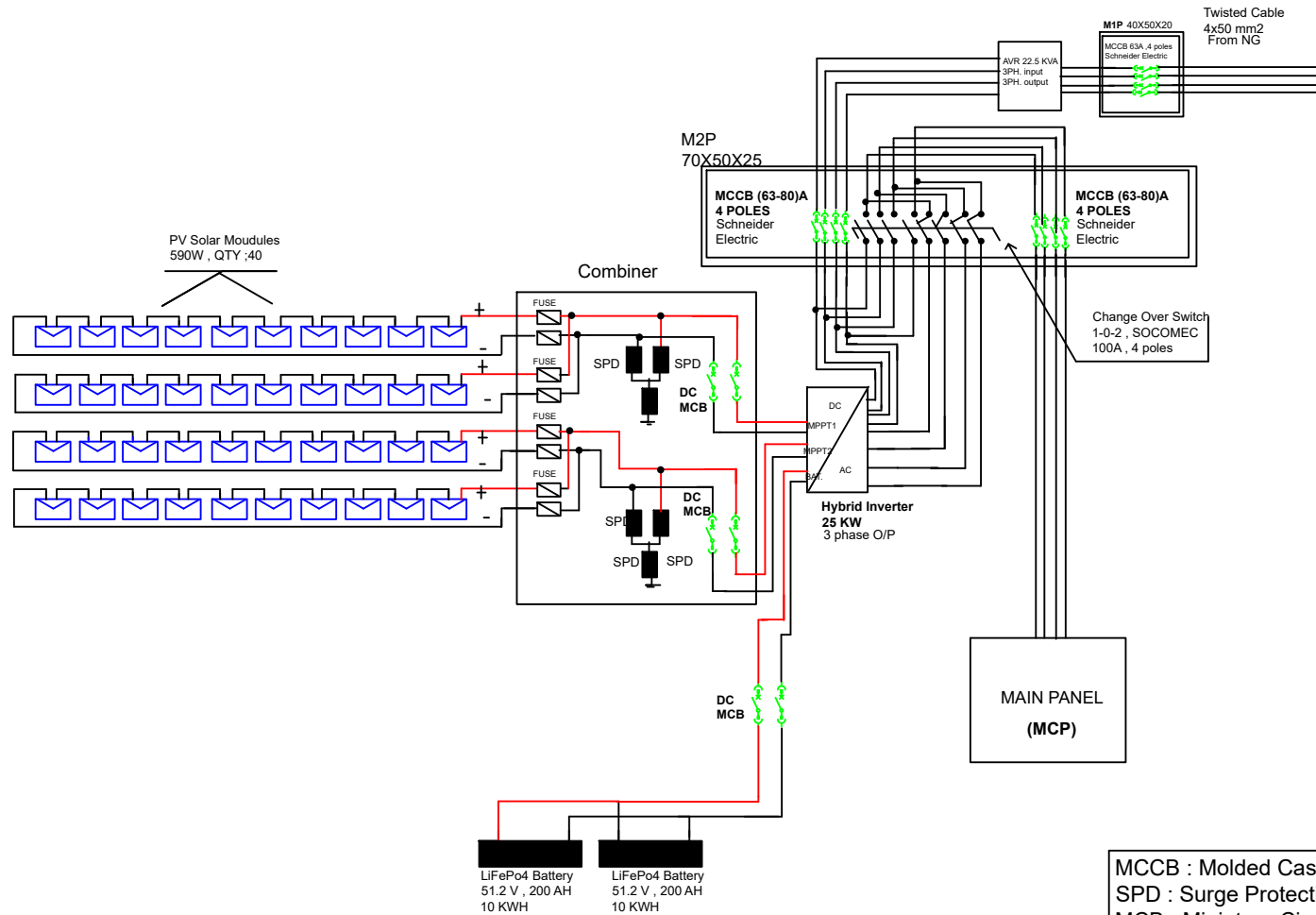
Designer :
 Eng. : Saleem Khaleel AL-Qailem
 Position : WatHab Electrical Engineer
 E-mail : Skhaleelkareemhassn@icrc.org
 mobile : +964(0)7801432957

Location :
 ALRabea Village
 Coords :
 Location :
 Salah ALDeen
 Governorate


Project name :
 ALRabea Village
 RO Unit
 Title: Power Diagram
 for (MCP)

Scale			Approval	Signature
Rev	Des.	Date		
1		21.06.2026		
2				
3				
4				

A03



MCCB : Molded Case Circuit Breaker
 SPD : Surge Protection Device
 MCB : Miniature Circuit Breaker

 Contracting Authority : ICRC - CICR IRAQ BAGHDAD Delegation	Designer : Eng. : Saleem Khaleel AL-Qaiem Position : WattHab Electrical Engineer E-mail : Skhaleelkareemhassn@icrc.org mobile : +964(0)7801432957	Location : ALRabea Village Coords : Location : Salah ALDeen Governorate	Project name : ALRabea Village RO Unit	Scale		A06			
	TITLE : POWER DIAGRAM FOR SOURCES PV, BATTERIES BANK, & NG .)			Rev 1 2 3 4	Des. 		Date 21.06.2026	Approval 	Signature